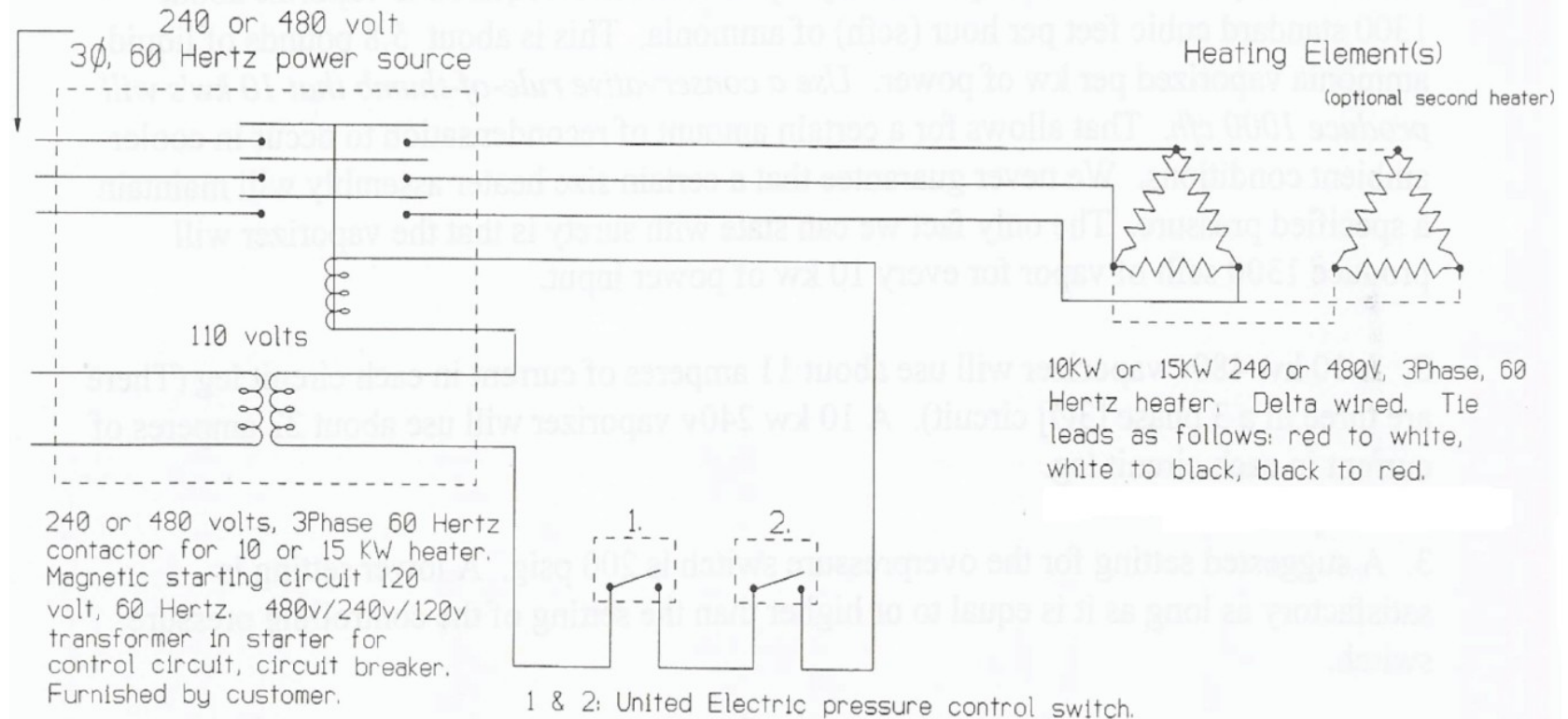


SCHEMATIC WIRING DIAGRAM FOR AMMONIA VAPORIZER



- Wire pressure switches normally closed (NC), to open on pressure rise.
- To set pressure, remove coverplate protecting external pointer dial. Position pointer to minimum pressure desired.
- Set pointer of first or controlling pressure switch to desired pressure.
- Set pointer of second or overpressure switch to 200psig.
- Replace coverplate. Switch will now cycle power on & off using a factory pre-set 10psi deadband width around set point.
- Moving the adjustment dial found inside the switch box changes the deadband width and invalidates the factory setting.

SCHEMATIC WIRING DIAGRAM FOR AMMONIA VAPORIZER	
Drawn by: JMK	Date: 12/20/09
Check by: JMK	Date:
Revised by: JMK	Date: 12/20/09
Revised by:	Date:
9312-1	