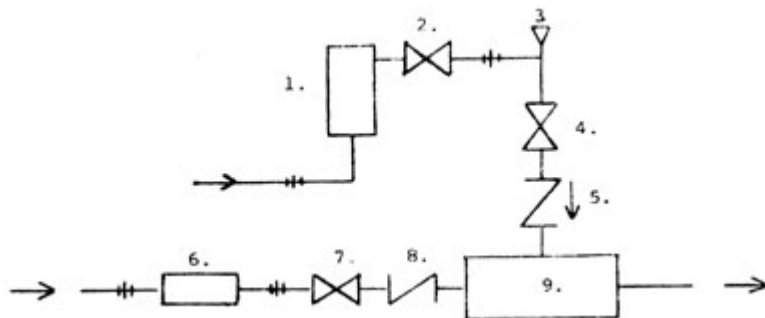


Aqua Ammonia Conversion Systems

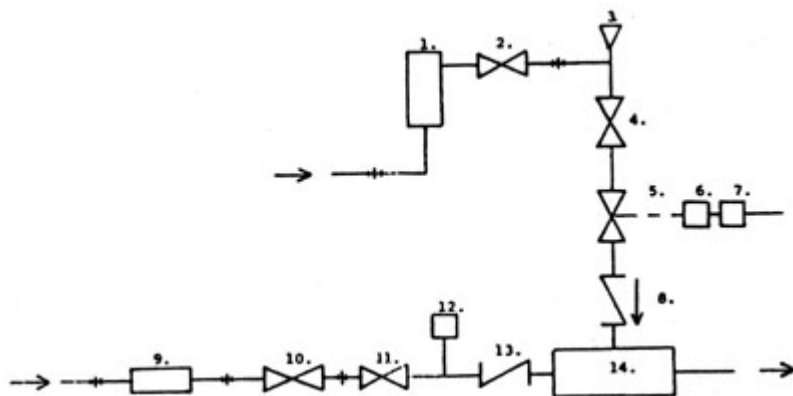
(10% Maximum NH₃ Concentration)

MANUAL SYSTEM



- 1. AMMONIA FLOWMETER
- 2. AMMONIA NEEDLE VALVE
- 3. AMMONIA HYDROSTATIC RELIEF VALVE
- 4. AMMONIA SHUT-OFF VALVE
- 5. AMMONIA BACK-FLOW CHECK VALVE
- 6. WATER FLOW CONTROL VALVE
- 7. WATER SHUT-OFF VALVE
- 8. WATER BACK-FLOW CHECK VALVE
- 9. AMMONIA INJECTOR

AUTOMATIC SYSTEM



- 1. AMMONIA FLOWMETER
- 2. AMMONIA NEEDLE VALVE
- 3. AMMONIA HYDROSTATIC RELIEF VALVE
- 4. AMMONIA SHUT-OFF VALVE
- 5. AMMONIA BALL VALVE
- 6. PNEUMATIC SAFETY-RETURN OPERATOR
- 7. AIR SOLENOID VALVE
- 8. AMMONIA BACK-FLOW CHECK VALVE
- 9. WATER METERING DEVICE
- 10. WATER NEEDLE VALVE
- 11. WATER SHUT-OFF VALVE
- 12. WATER PRESSURE SWITCH
- 13. WATER BACK-FLOW CHECK VALVE
- 14. AMMONIA INJECTOR